

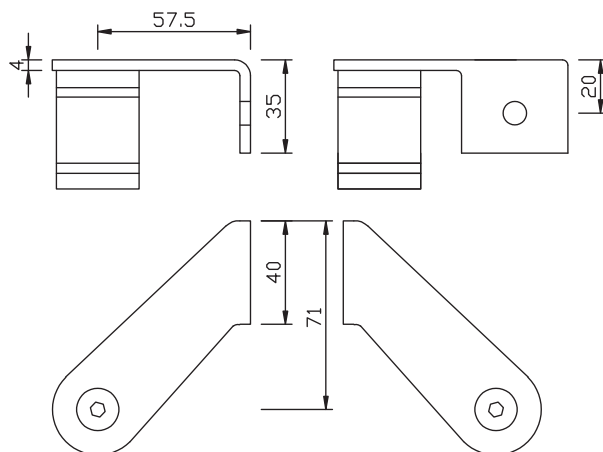
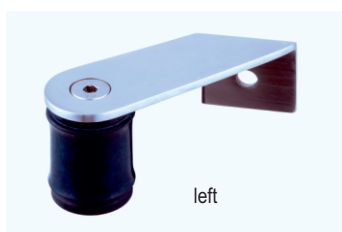
greenteQ Pull handle system; angle bracket 45°

greenteQ pull handle system to manufacture pull handles in individual lengths.

Properties:

greenteQ pull handle system; 45 °angle bracket; inward angled mounting strap;
stainless steel matt brushed.

Product picture and technical drawing:



Technical data:

Material	Stainless steel (steel number 1.4301)
Surface	matt brushed
Diameter of fixing hole	8,5 mm
Packaging unit	1 piece
	(for 1 handle, 1 left and 1 right bracket required)
Version	VBH Item Number
left	993.943 / 6501
right	993.940 / 6502

PRODUCT DATA SHEET

DOOR HARDWARE - greenteQ Pull handle system; angle bracket 45°

Instructions for use, performance and product data, and all other technical data for greenteQ products are general guidelines only. They describe the performance characteristics and material composition of our products. However, they constitute no guarantee according to § 443 BGB. Due to the various application possibilities it is the user's sole responsibility to satisfy himself that the product is adequate for his intended purpose. Any technical consultation with VBH, whether verbal, written or in the form of test samples is for your information only and is absolutely non-committal.

Edition 08/2010 | www.vbh.de

greenteQ